

Gripping Trays

Stainless Steel, Screw-In Type

SPECIFICATION

Types

- Type **A**: Mounting from the operator's side (for identification no. 2 with four countersunk sealing screws)
- Type **C**: Mounting from the back

Identification no.

- No. **1**: Without seal
- No. **2**: With seal, black
- No. **3**: With seal, blue (only type C)

Handle

- Stainless steel AISI 304
- Matte shot-blasted finish **GS**
- Electropolished **EP**

Housing seal

- Rubber, glued
- NBR, black for identification no. 2
- Silicone, blue for identification no. 3
FDA compliant

Countersunk sealing screws for type A, id. no. 2

- DIN 7991-M5x16
- Stainless steel
- Polyamide coating on head

Grub screws for type C

- Stainless steel AISI 304
- Welded

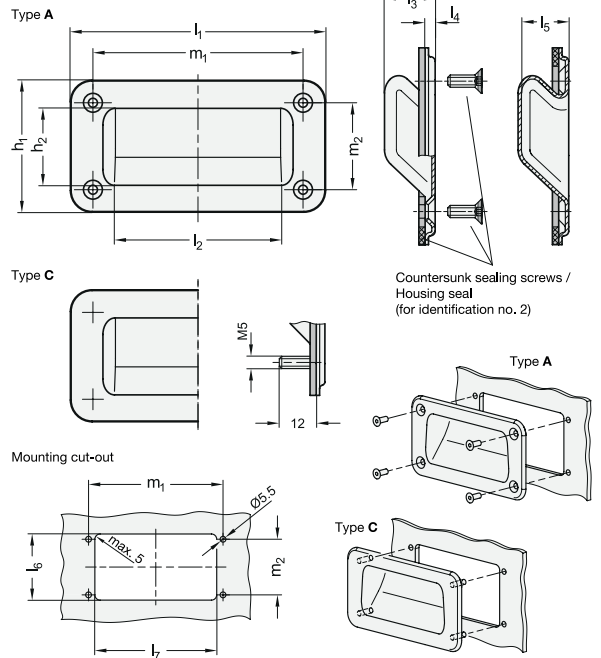
Protection class IP 66

INFORMATION

Gripping trays GN 7332 can be easily and quickly installed from the front using countersunk screws or from the back with grub screws. Gripping trays with housing seal (identification no. 2 and 3) prevent the penetration of any dirt or liquids into the housing interior. The FDA-compliant version also allows use in areas where food or pharmaceutical products are produced. Type A is supplied with four additional countersunk sealing screws, which feature a polyamide coating on the head to create a tight seal.

TECHNICAL INFORMATION

- IP Protection Classes (see page A23)
- Stainless Steel Characteristics (see page A26)



* Complete with
GS EP

GN 7332-A-1 STAINLESS STEEL

Description	l1	h1	h2	l2	l3	l4	l5	l6 +1	l7 +1	m1	m2	⚖
GN 7332-155-A-1*	155	80	42	109	20	3.5	19.2	60	115	128	53	92

GN 7332-A-2 STAINLESS STEEL

Description	l1	h1	h2	l2	l3	l4	l5	l6 +1	l7 +1	m1	m2	⚖
GN 7332-155-A-2*	155	80	42	109	20	3.5	19.2	60	115	128	53	104

GN 7332-C-1 STAINLESS STEEL

Description	l1	h1	h2	l2	l3	l4	l5	l6 +1	l7 +1	m1	m2	⚖
GN 7332-155-C-1*	155	80	42	109	20	3.5	19.2	60	115	128	53	97

Weight GS

GN 7332-C-2 STAINLESS STEEL

Description	l1	h1	h2	l2	l3	l4	l5	l6 +1	l7 +1	m1	m2	⚖
GN 7332-155-C-2*	155	80	42	109	20	3.5	19.2	60	115	128	53	107

GN 7332-C-3 STAINLESS STEEL

Description	l1	h1	h2	l2	l3	l4	l5	l6 +1	l7 +1	m1	m2	⚖
GN 7332-155-C-3*	155	80	42	109	20	3.5	19.2	60	115	128	53	109

Weight GS